

**LAKO**  
eco FU(rni)TURE system

Manufacturer & distributor:



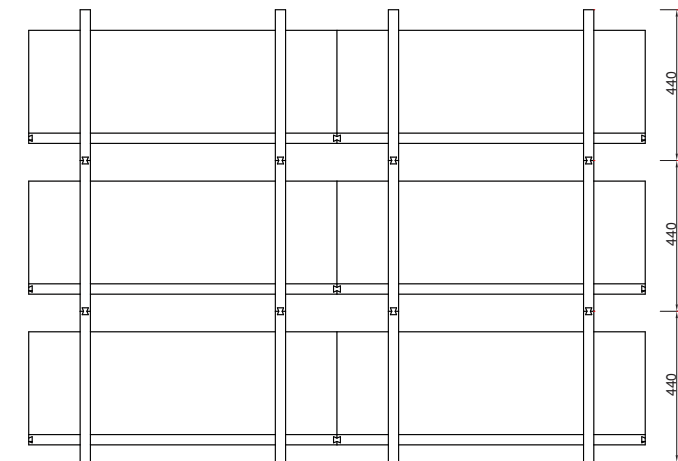
Drvni klaster Ltd.  
P. Preradovića 17/II  
42000 Varaždin  
C R O A T I A  
contact: Mrs. Sandra Hižak  
tel/fax +385/42/421305  
shizak@drvni-cluster.hr  
www.drvni-cluster.hr

Design:

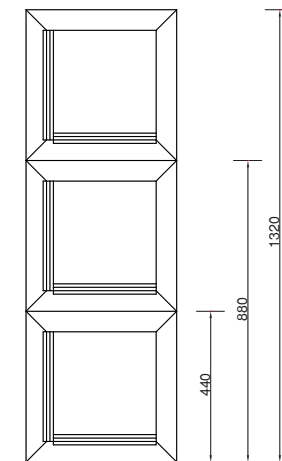
Ada Kezić, MA Design  
gsm +385/95/9021044  
info@adakezic.com  
www.adakezic.com



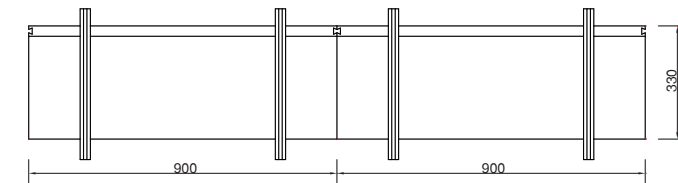
front view



side view



plan view



440



shelves

**LAKO**  
eco FU(rni)TURE system



**LAKO**  
eco FU(rni)TURE system



**LAKO**  
eco FU(rni)TURE system

Design: Ada Kezić

# LAKO

eco FU(rni)TURE system

Design: Ada Kezić  
Produced by Wood Cluster of NW Croatia

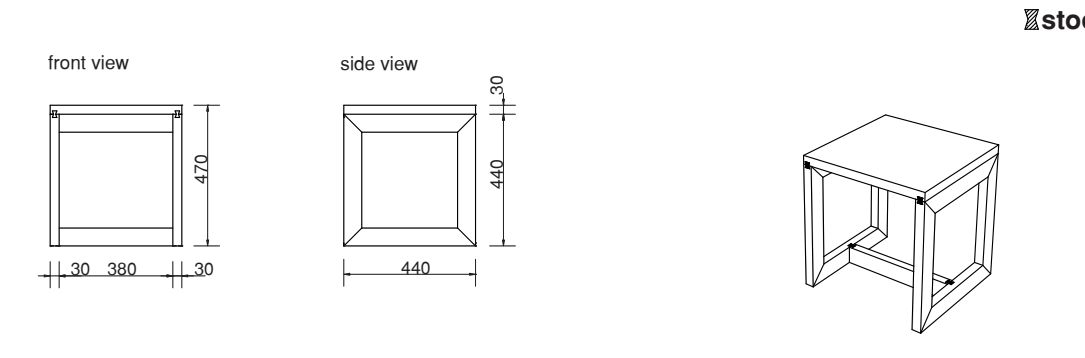
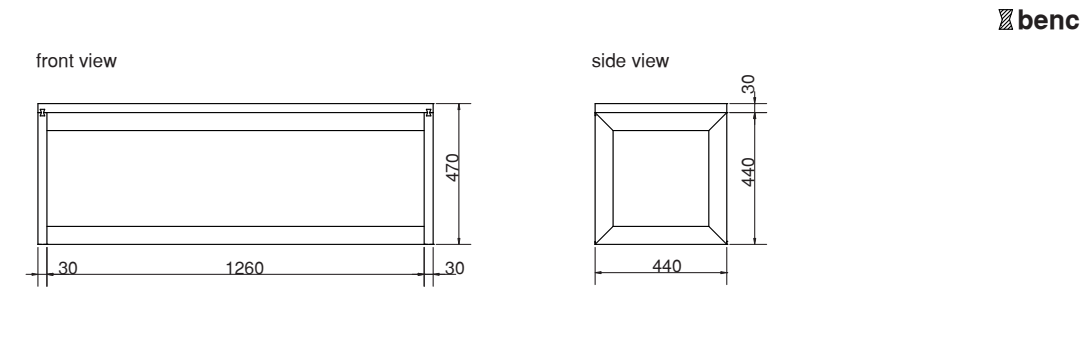
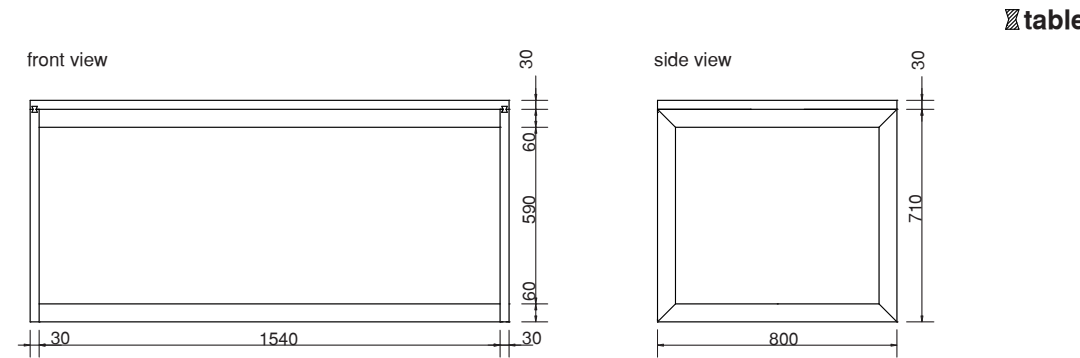
LAKO is a system of stools, benches and shelves of solid wood. It consists of square frames, transverse elements and panels joined together with a modified classical dovetailing joint and without any metal fastenings.

The mortises are found in the frames, joined by the transverse elements and panel, while the nib is in fact a strut that joins two mortises into one throughout its length.

The square frames of the shelving system serve as supports for shelves and backs. First of all the backs are placed on the square frames, and the shelves are then fitted in between back and frame.

The shelves can be built up in modular manner both height and width.

Easy to assemble, it is made of solid wood - Croatian oak, beech or ash, surface-treated with mixture of organic oils and waxes.



**LAKO**  
eco FU(rni)TURE system

